



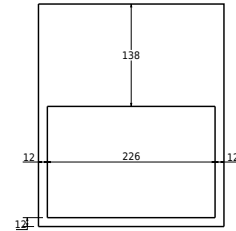
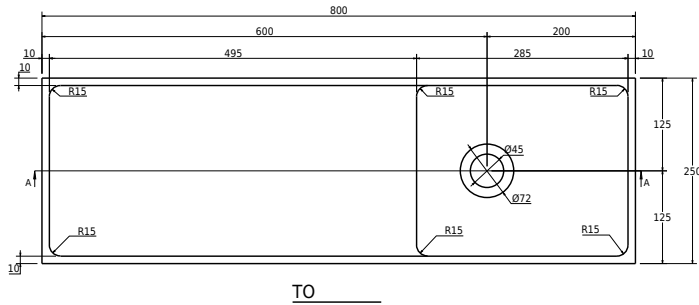
Copenhagen Bath

Bækkeskovvej
DK-2665 Vallensbæk Strand
CVR: DK32648622
Telefon: (+45) 3696 0747
contact@copenhagenbath.com
www.copenhagenbath.com

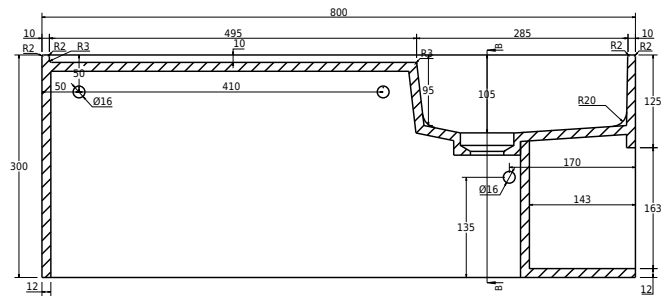
Modul 80 LR-H wash basin

SKU: 40010410

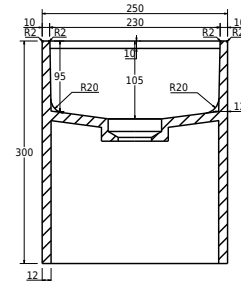
P VIEW



SECTION B-B



SECTION A-A



SECTION B-B

Colour:

Size:

30cm / 80cm / 25cm

Weight:

20kg nett

Modul 80 LR-H wash basin details: