



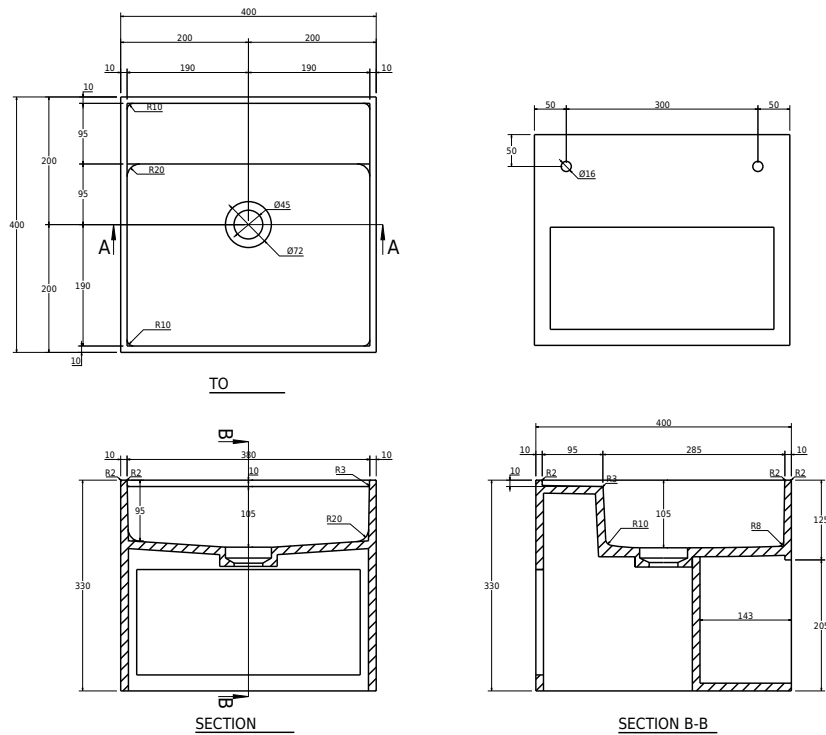
**Copenhagen Bath**

Bækkeskovvej  
DK-2665 Vallensbæk Strand  
CVR: DK32648622  
Telefon: (+45) 3696 0747  
contact@copenhagenbath.com  
www.copenhagenbath.com

# Modul SH 40 with shelf

SKU: 40010403

R-VIEW



**Colour:**

**Size:**

33cm / 40cm / 40cm

**Weight:**

17kg nett

**Modul SH 40 with shelf details:**