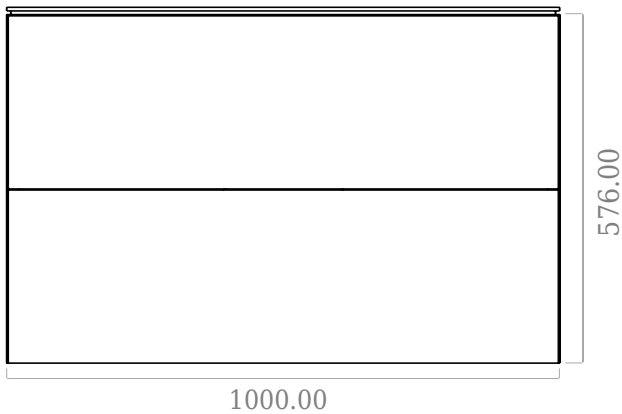
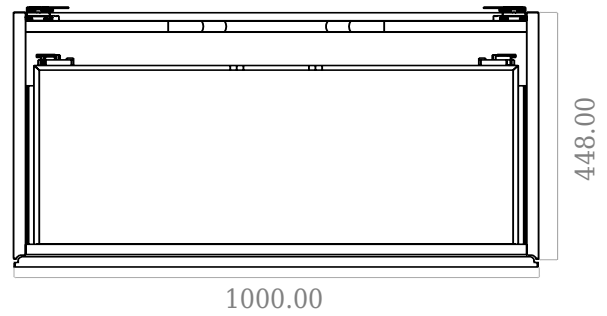


SQ2 100 double cabinet with countertop

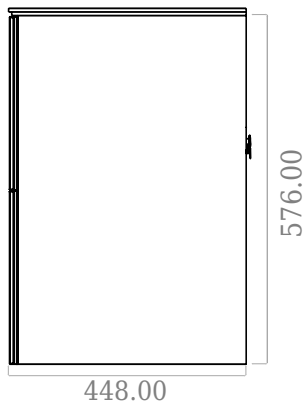
SKU: 30010243



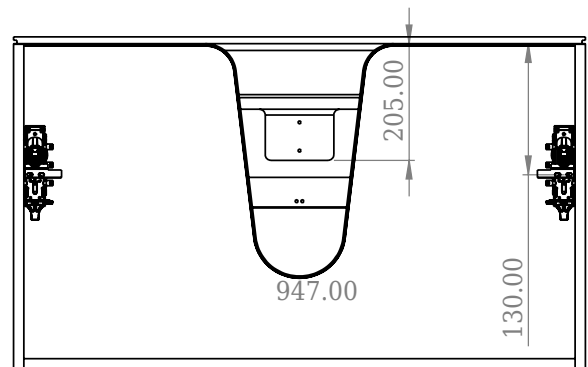
F View



Top View



Side View



Back View

Colour: Matte white
Size: 60cm / 100cm / 45cm
Weight: 5445kg nett

SQ2 100 double cabinet with countertop details: