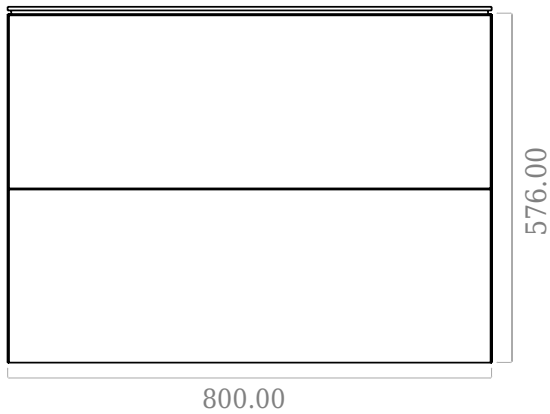
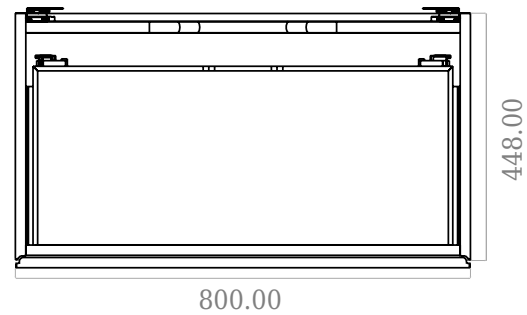


# SQ2 80 double cabinet with centred basin

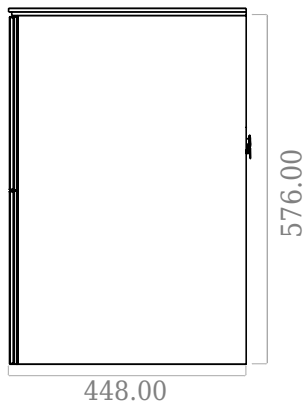
SKU: 30010233



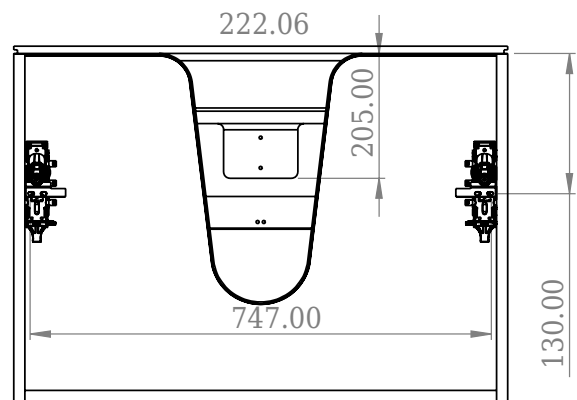
F View



Top View



Side View



Back View

<b>Colour:</b>	Matte white
<b>Size H/L/D:</b>	57.6cm / 80cm / 45cm
<b>Weight:</b>	54kg nett

**SQ2 80 double cabinet with centred basin details:**