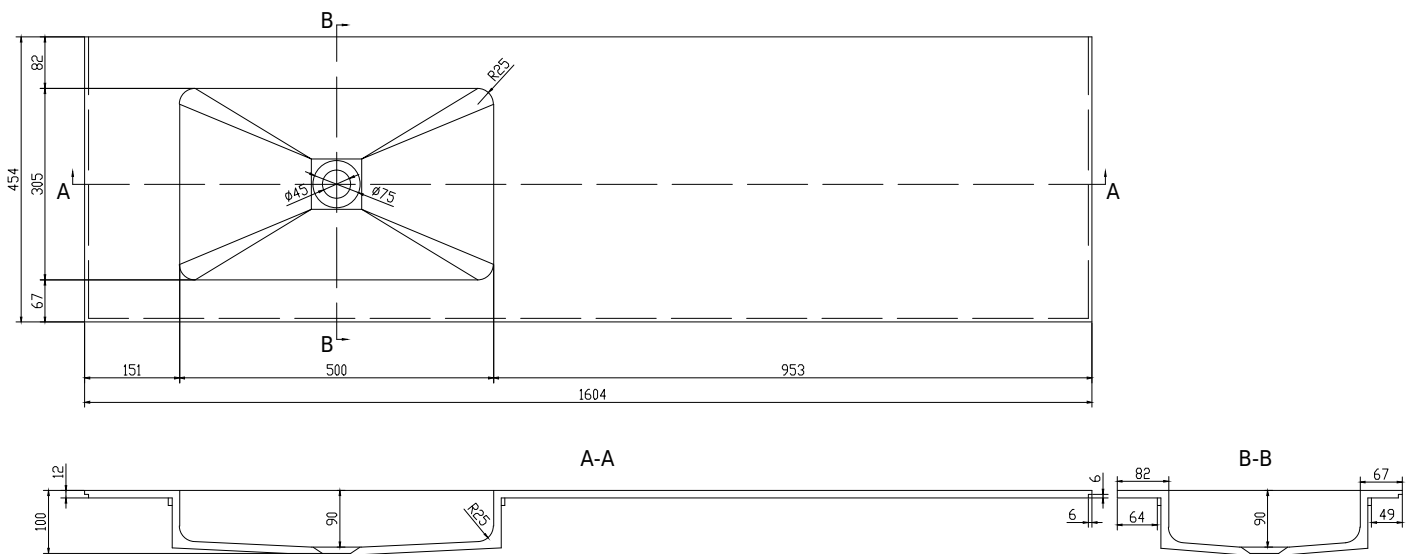


## SQ2 160 left wash basin

SKU: 30040080



<b>Colour:</b>	Matte white
<b>Size H/L/D:</b>	10.2cm / 160cm / 45cm
<b>Weight:</b>	25kg nett

### SQ2 160 left wash basin details:

SQ2 countertop in solid Acovi® composite with submerged sink, suitable for SQ2 cabinet which is designed by the Danish designer Mikal Harrsen. The solid material ensures not only a rigorous design, but also a pore-free and matte surface and unique durability. The countertop is delivered in matt solid Acovi composite with a thin edge of only 6mm. The sink is delivered without bottom valve and water trap. Can be ordered to measure.